

*The Ultimate Transport Vehicle*

# **MECHRON**

**2200/2240**



*run ahead of the pack*





*Where Work and play  
come **Together***





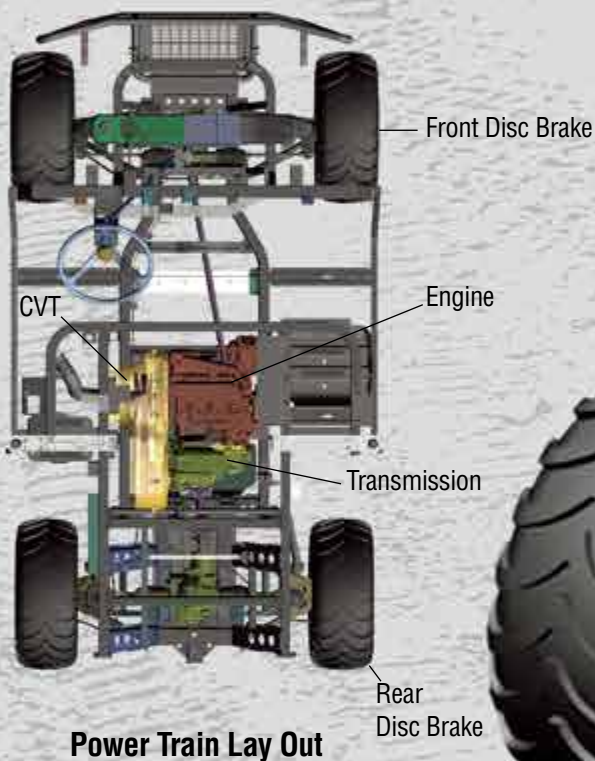
## The MECHRON

Whether you need a worker on the farm or a way into the woods, the **KIOTI MECHRON** 4X4 Utility Vehicle gets all your jobs done. With 4-wheel, fully independent, rear dual A-arm suspension and front MacPherson type suspension, the wide track offers increased stability and an exceptionally smooth ride on even rough terrain. The tight turning radius and rear anti-sway bar provides superb cornering and handling. Wherever work or play takes you, you'll have the ultimate 4-wheel drive performance.





# Translating Power into Performance



**Power Train Lay Out**

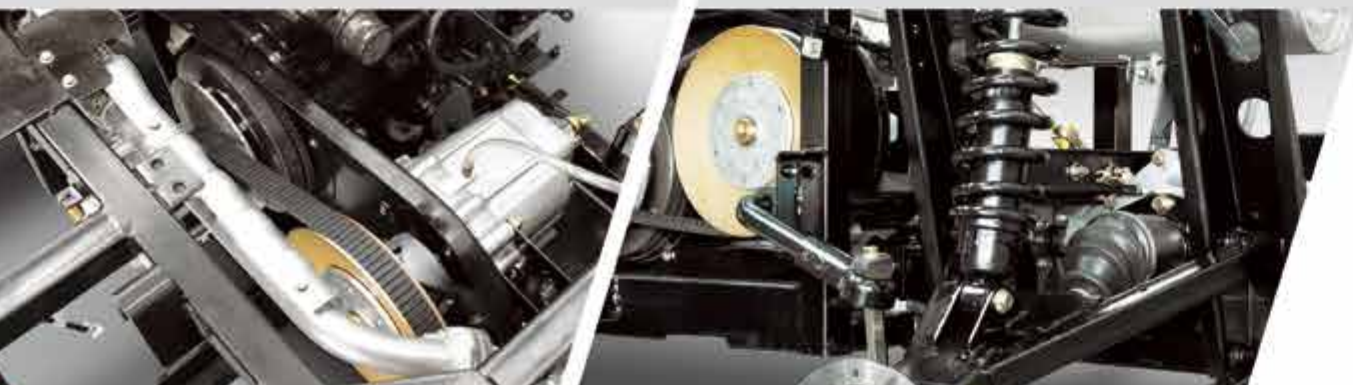


## **Transmission**

The MECHRON uses a continuously variable transmission (CVT) and has a time proven Daedong gear box with two speeds, (Hi/Low) and 4WD.

## **Adjustable Rear Suspension**

With an adjustable Wishbone type suspension, you can fine tune the MECHRON for the smoothest possible ride whether carrying a load or empty.

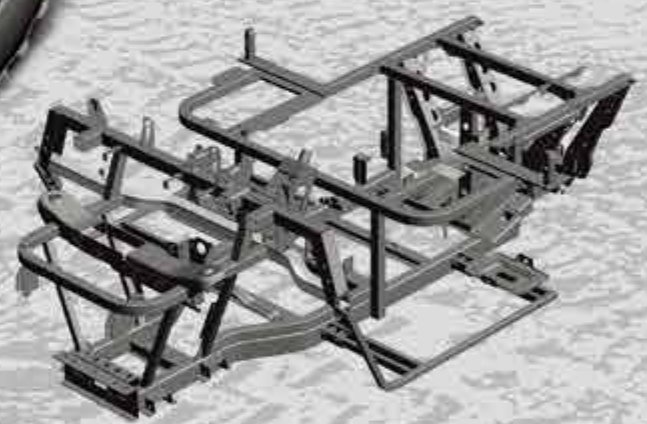






### Front Suspension

A MacPherson Strut type suspension ensures the best ride of all the competition while providing the driver excellent road-feel and control.



### Solid Frame

Robust body frame with strong tubular steel and welded ROPS will protect drivers and passengers.

### Brake System

Long lasting front and rear hydraulic disc brakes with a mechanical parking brake provides excellent performance and enhanced safety.

### Engine

The Daedong 3C100LFU (1007cc, 22HP) diesel engine has been field proven for durability and dependability while offering improved fuel economy.







***Balancing weight and performance for full payloads***





### Canopy (Option)

An impact resistant plastic canopy helps to protect the driver and passengers.



### Hood

The sleek design of the reinforced plastic hood provides a strong and dynamic look.



### Cargo Bed

The MECHRON provides excellent payload capabilities and has the widest cargo bed in its class. Add the optional hydraulic dump kit and you can easily place any load where you want it.

### Rear Hitch Receiver

A 2-inch rectangular hitch receiver enables you to attach a trailer and receiver equipped implements.

### Differential Locks

- Front: Limited Slip Differential
- Rear: Mechanically Actuated Differential Lock







***Powerful acceleration  
with a Daedong Diesel Engine***



**Rear Fenders**

Reinforced, molded rear fenders mounted under the bed deck keep you and your MECHRON clean under the muddiest conditions.







### Ground Clearance

Don't get stuck on the trail. With 12 inches of ground clearance, you can easily climb over obstacles.



### Brush Guard

The heavy duty steel brush guard offers protection for the headlights, radiator, and front differential from rocks, tough brush, and other debris on the trail.



### Wheels and Tires

Larger 12-inch wheels and 25-inch tires provide a smooth ride and more ground clearance.





### Shift Levers

An in-line shift makes range selection simple and easy. 4WD selection and rear differential lock are engaged with a single pull knob.



### Storage Compartments

An open dash storage area on the driver side is complemented by a closed dash storage area with a water proof lid on the passenger side.



### Cup Holders

A cup holder on each side is standard with a removable tray for passenger and driver convenience.



## *Power, Strength, Agility, and Comfort*

### Floor

With a flat walk-thru design, the MECHRON has excellent leg and foot room for easy entry and exit.



2-Row seating of the new MECHRON 2240 provides a comfortable environment for 4 people.





*Stretch out on the **Wide bench seat** with room for passengers and the driver*

#### **Dash Board**

With its cockpit-like looks, the ergonomically located controls and instruments allow the driver to view critical functions at a glance.

#### **Bench Seat**

With a contoured bench seat that is the widest in its class, the MECHRON offers room to seat three comfortably. Three seat belts are standard for safety.

#### **Standard Instrument Cluster**

Speedometer in MPH(km/hr), hour meter, fuel gauge, coolant temperature gauge, check engine light and turn signal indicators are standard.





# Specifications



ISO 9001  
NO:954596



ISO 14001  
NO:771475



OHSAS 18001  
NO:K033008

| MODEL                   |                        | Mechron2200  | Mechron 2200PS        | Mechron 2240 |
|-------------------------|------------------------|--|-----------------------|--------------|
| <b>ENGINE</b>           |                        |  |                       |              |
| Model                   |                        | 3C100LFU   |                       |              |
|                         |                        | 3Cyl., In-line Vertical, Water-cooled<br>4-cycle diesel engine (NTE) |                       |              |
| Engine Gross            | HP(KW)                 | 22 (16.4)  |                       |              |
| Displacement            | cu.in.(cc)             | 61.45 (1,007)  |                       |              |
| Rated Revolution        | rpm                    | 2,800  |                       |              |
| Fuel Tank Capacity      | u.s.gal(ℓ)             | 7.4 (28)   |                       |              |
| <b>DRIVE TRAIN</b>      |                        |  |                       |              |
| Type                    |                        | Belt CVT   |                       |              |
| Gear Range              |                        | Low, High, Neutral, Reverse  |                       |              |
| Ground Speed (km/h)     | mph(km/h)              | 0-25 (0-40)  |                       |              |
| Brake                   |                        | Front/Rear Hydraulic Dry Caliper Disc                                |                       |              |
| <b>SUSPENSION</b>       |                        |  |                       |              |
| Front Suspension        |                        | Independent, MacPherson Strut type                                   |                       |              |
| Rear Suspension         |                        | Independent, Double A-Arm (Wishbone type)                            |                       |              |
| <b>STEERING</b>         |                        |  |                       |              |
| Type                    |                        | Rack & Pinion  | Hydraulic Power       |              |
| <b>DIMENSIONS</b>       |                        |  |                       |              |
| Length                  | in.(mm)                | 112.3 (2,852)  | 146.7 (3,725)         |              |
| Width                   | in.(mm)                | 60.7 (1,543)   |                       |              |
| Height                  | in.(mm)                | 76.4 (1,940)   |                       |              |
| Max Wheel Tread         | Front                  | 49.7 (1,262)   |                       |              |
|                         | Rear                   | 48.3 (1,228)   | 49.8 (1,264)          |              |
| Wheelbase               | in.(mm)                | 76.4 (1,940)   | 108.7 (2,760)         |              |
| Weight                  | lbs.(kg)               | 1,687 (765)  | 1,896 (860)           |              |
| Ground Clearance        | in.(mm)                | 12 (304)   |                       |              |
| Towing Capacity         | lbs.(kg)               | 1,300 (590)  |                       |              |
| Payload Capacity        | lbs.(kg)               | 1,598 (725)  | 1,325 (601)           |              |
| Turning Radius          | ft.(m)                 | 13.1 (4.0)   | 17.7 (5.4)            |              |
| <b>CARGO BED</b>        |                        |  |                       |              |
| LengthxWidthxDepth      | in.(mm)                | 38.6 (980) x 56.2 (1,427) x 11.5 (293)                               |                       |              |
| Bed Capacity            | lbs.(kg)               | 1,102 (500)  | 662 (300)             |              |
| <b>TIRE SIZE</b>        |                        |  |                       |              |
| Front                   | Heavy Duty Worksite    | 25x10-12   |                       |              |
|                         | Turf                   | 26x10.5-12   |                       |              |
|                         | ATV                    | 25x10-12   |                       |              |
| Rear                    | Heavy Duty Worksite    | 25x11-12   |                       |              |
|                         | Turf                   | 26x10.5-12   |                       |              |
|                         | ATV                    | 25x11-12   |                       |              |
| Seat Capacity           | 3 Seat Bench           |  | 2 Rows (2 Seat Bench) |              |
| Dump Box Actuation      | Manual                 |  |                       |              |
| Front Guard             | Std.                   |  |                       |              |
| Body Color              | MECHRON Orange / Green |  |                       |              |
| Hydraulic Bed Lift      | Opt.                   |  |                       |              |
| Hydraulic Utility Valve | Opt.                   |  |                       |              |
| Speedometer             | Std.                   |  |                       |              |
| Rear Hitch Receiver     | Std.                   |  |                       |              |
| Winch Bracket           | Opt.                   | Std.   | Opt.                  |              |

※ Note: The specifications are subject to change without notice.

## Optional Equipment

### • CANOPY/WINDSHIELD

Sun Canopy Kit  
Windshield Wiper Kit  
Windshield Kit

### • HITCH

Front Hitch Receiver Kit

### • HYDRAULICS

Hydraulic Dumping Kit  
Remote Hydraulic Kit  
Hand Throttle Kit  
External Hydraulic Hose Kit

### • PROTECTION

Skid Plate Kit  
Rear Screen Kit  
Suspension Dust Guard Kit (CV Guard Kit)  
Muffler Spark Arrester Kit  
Soft Cabin Kit

### • ACCESSORIES

Safety Lamp Kit (Horn, Brake Lights, Turn Signal Lamps, Hazard Switch)  
Fog Lamp Kit  
Working Lamp Kit  
Headrest Kit  
Side View Mirror Kit  
Side Rail Extension Kit  
License Plate Kit  
Parking Brake Buzzer Kit  
Camouflage Kit (Realtree Hardwoods)  
Winch Kit



### KIOTI Tractor Division

DAEDONG - USA, INC.

6300 KIOTI Drive, Wendell, NC 27591

toll free 877-GO-KIOTI • fax 919-374-5001

web www.KIOTI.com



[www.Facebook.com/KiotiTractor](http://www.Facebook.com/KiotiTractor)